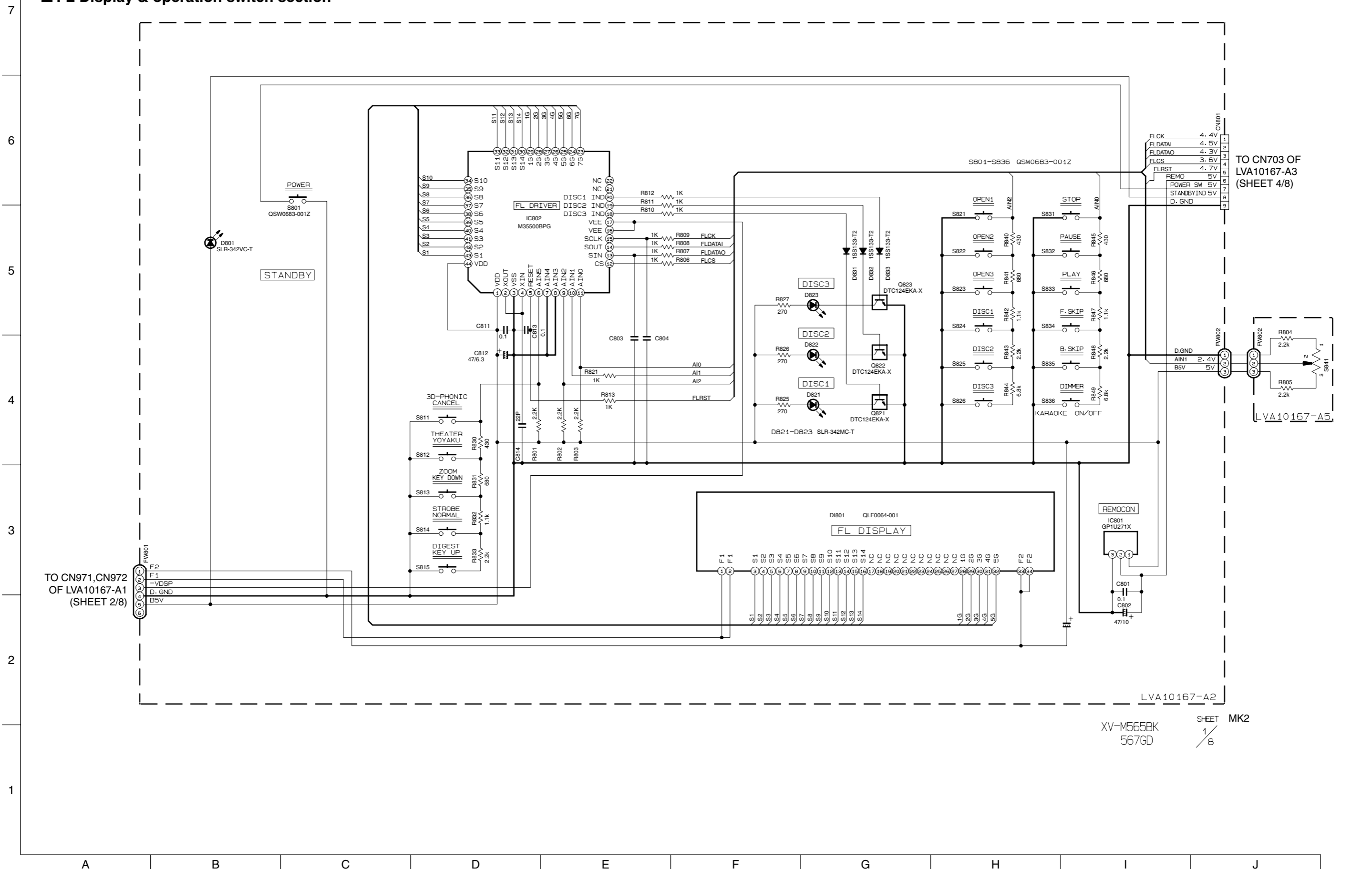


Standard schematic diagrams

FL Display & operation switch section

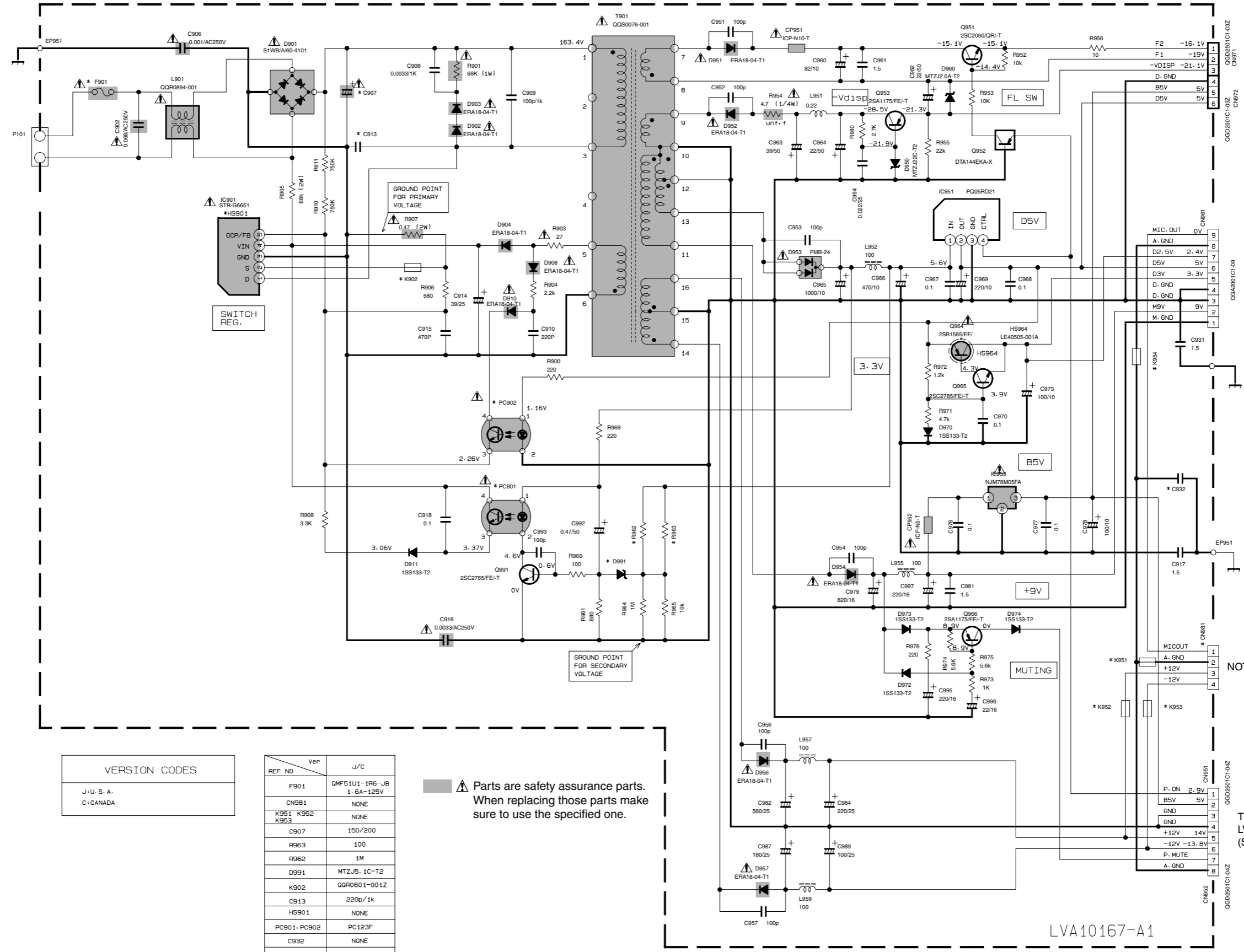


XV-M565BK
567GD

SHEET 1/8
MK2

Power supply section

Ver. J/C
120V 60Hz



VERSION CODES

J: U. S. A.
C: CANADA

REF NO	Ver	J/C
F901	QMF51U1-1R6-JB	1.6A-125V
CN981	NONE	
K951 K952 K953	NONE	
C907	150/200	
R963	100	
R962	1M	
D991	MTZJ5-1C-T2	
K902	GGRO601-001Z	
C913	220p/1k	
HS901	NONE	
PC901, PC902	PC123F	
C932	NONE	
K954	0	

Parts are safety assurance parts. When replacing those parts make sure to use the specified one.

TO FWB01 OF LVA10167-A2 (SHEET 1/8)

TO CN501 OF LVA10068-A1 (SHEET 5/8)

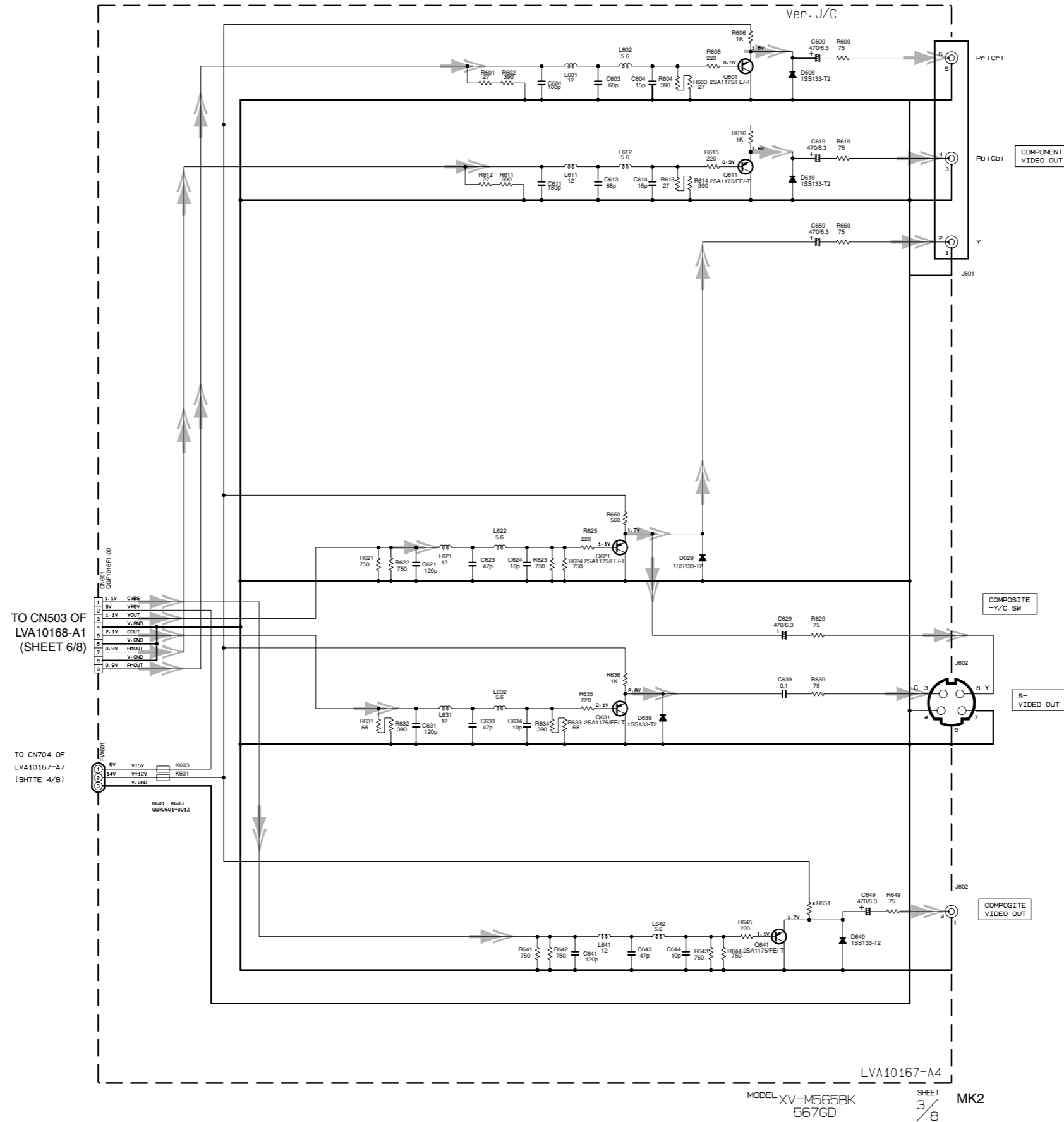
NOT USE

TO FW701 OF LVA10167-A3 (SHEET 4/8)

LVA10167-A1

XV-M565BK
567GD
SHEET 2/8 MK2

Video signal output section



TO CN503 OF LVA10168-A1 (SHEET 6/8)

TO CN704 OF LVA10167-A7 (SHEET 4/8)

Video signal

A

B

C

D

E

F

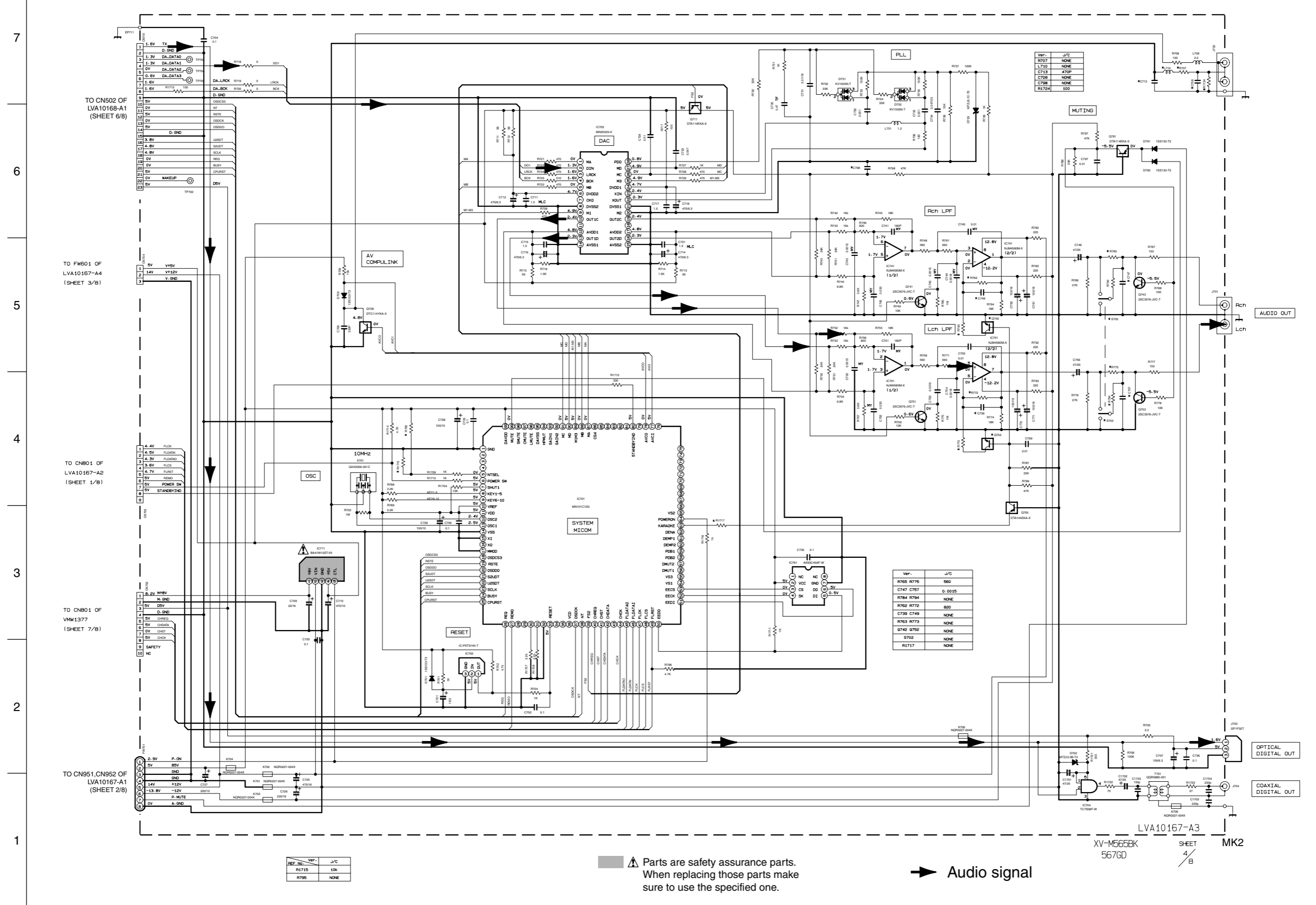
G

H

I

J

■ System control & audio signal output section



TO CN502 OF LVA10168-A1 (SHEET 6/8)

TO FW601 OF LVA10167-A4 (SHEET 3/8)

TO CN801 OF LVA10167-A2 (SHEET 1/8)

TO CN801 OF VMW1377 (SHEET 7/8)

TO CN951, CN952 OF LVA10167-A1 (SHEET 2/8)

REF. No.	Ver.	J/C
R707	NONE	
L710	NONE	
C708	470P	
C709	NONE	
C708	NONE	
R1724	50K	

Ver.	J/C
R765 R775	560
C747 C757	0.0015
R784 R794	NONE
R762 R772	820
C738 C748	NONE
R763 R773	NONE
Q742 Q752	NONE
S702	NONE
R1717	NONE

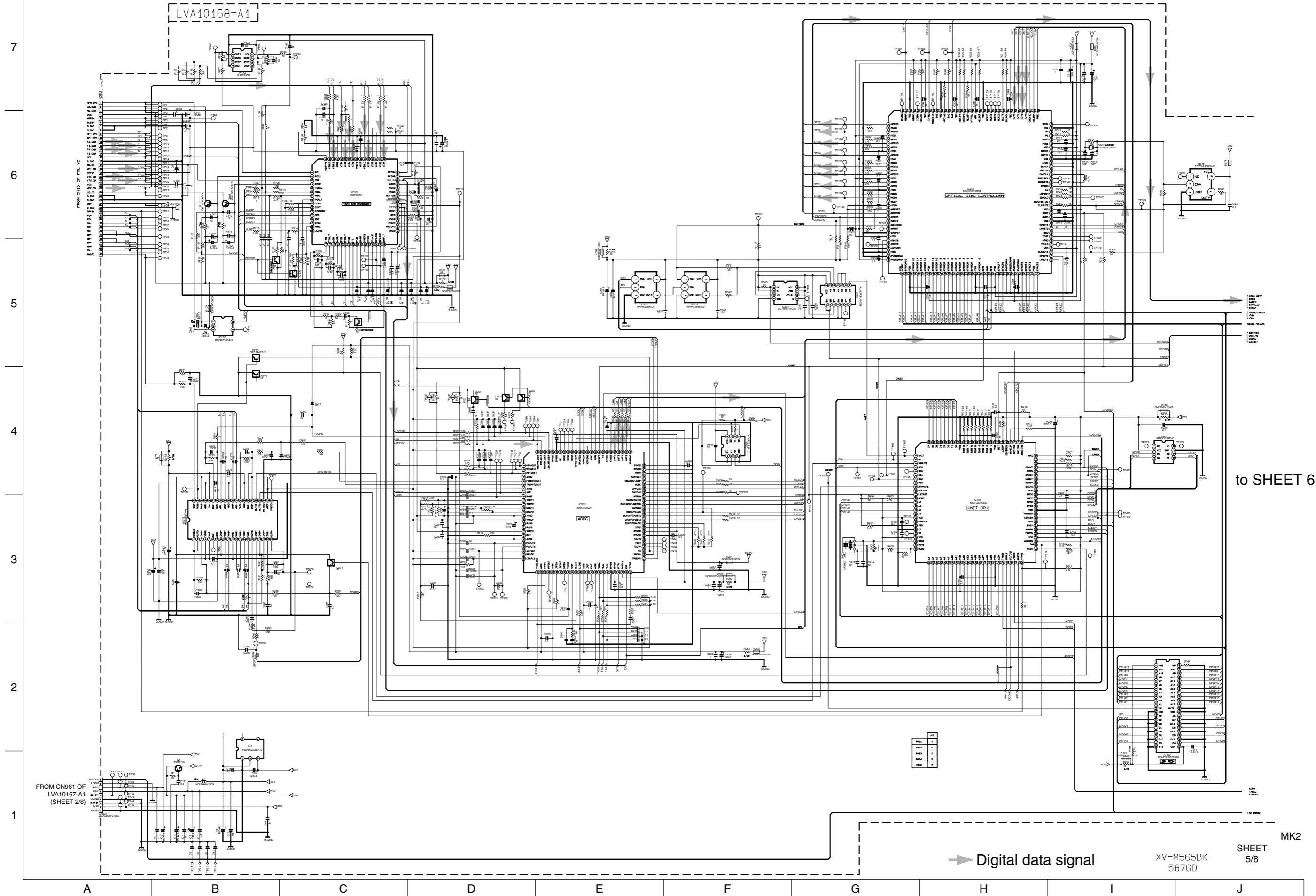
REF. No.	Ver.	J/C
R1715	10K	
R795	NONE	

▲ Parts are safety assurance parts. When replacing those parts make sure to use the specified one.

➔ Audio signal

LVA10167-A3
XV-M565BK
567GD
SHEET 4/8
MK2

■ Servo control section



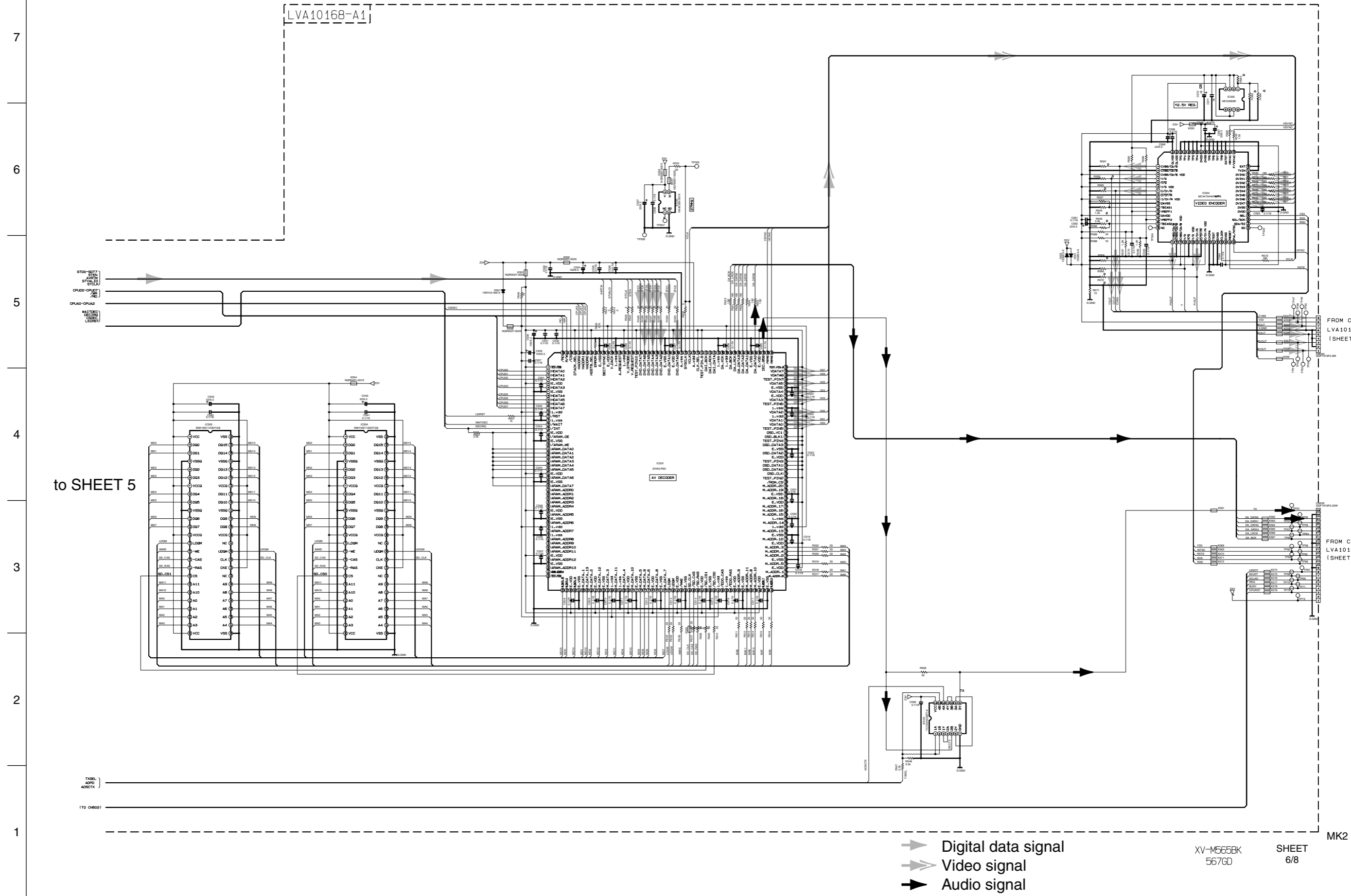
to SHEET 6

➔ Digital data signal

XV-M565BK
567GD

MK2
SHEET
5/8

Decoder & graphic controller section



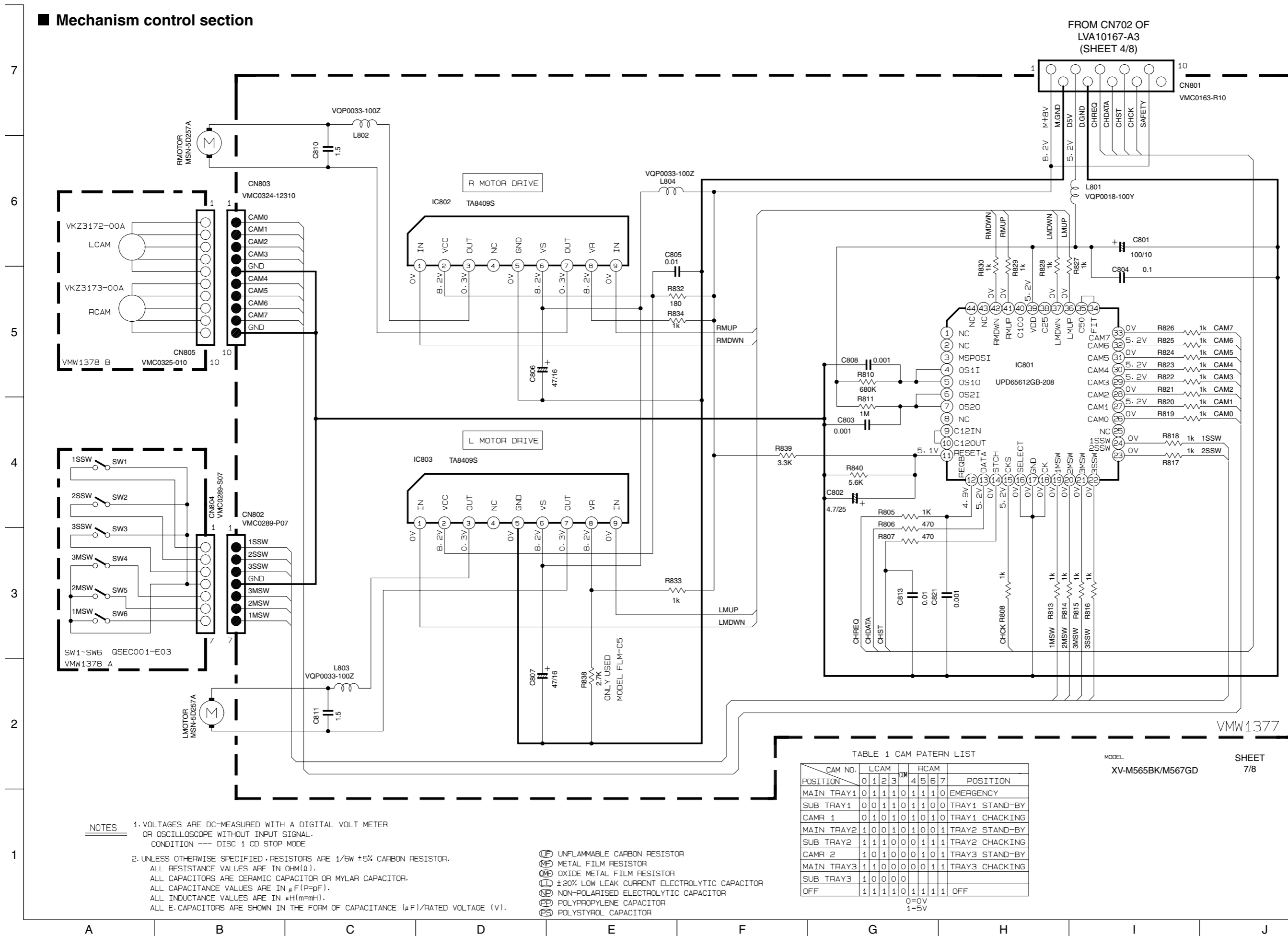
to SHEET 5

FROM CN601 OF LVA10167-A4 (SHEET 3/8)

FROM CN701 OF LVA10167-A3 (SHEET 4/8)

- ➡ Digital data signal
- - - Video signal
- ➡● Audio signal

■ Mechanism control section



- NOTES**
1. VOLTAGES ARE DC-MEASURED WITH A DIGITAL VOLT METER OR OSCILLOSCOPE WITHOUT INPUT SIGNAL. CONDITION --- DISC 1 CD STOP MODE
 2. UNLESS OTHERWISE SPECIFIED, RESISTORS ARE 1/6W ±5% CARBON RESISTOR. ALL RESISTANCE VALUES ARE IN OHM(Ω). ALL CAPACITORS ARE CERAMIC CAPACITOR OR MYLAR CAPACITOR. ALL CAPACITANCE VALUES ARE IN μF(P=PF). ALL INDUCTANCE VALUES ARE IN μH(m=mH). ALL E-CAPACITORS ARE SHOWN IN THE FORM OF CAPACITANCE (μF)/RATED VOLTAGE (V).

- Ⓜ UNFLAMMABLE CARBON RESISTOR
- Ⓜ METAL FILM RESISTOR
- Ⓜ OXIDE METAL FILM RESISTOR
- Ⓜ ±20% LOW LEAK CURRENT ELECTROLYTIC CAPACITOR
- Ⓜ NON-POLARISED ELECTROLYTIC CAPACITOR
- Ⓜ POLYPROPYLENE CAPACITOR
- Ⓜ POLYSTYROL CAPACITOR

TABLE 1 CAM PATTERN LIST

CAM NO.	LCAM	RCAM	POSITION
MAIN TRAY1	0 1 1 1 0	1 1 1 0	EMERGENCY
SUB TRAY1	0 0 1 1 0	1 1 0 0	TRAY1 STAND-BY
CAMR 1	0 1 0 1 0	1 0 1 0	TRAY1 CHACKING
MAIN TRAY2	1 0 0 1 0	1 0 0 1	TRAY2 STAND-BY
SUB TRAY2	1 1 1 0 0	0 1 1 1	TRAY2 CHACKING
CAMR 2	1 0 1 0 0	0 1 0 1	TRAY3 STAND-BY
MAIN TRAY3	1 1 0 0 0	0 0 1 1	TRAY3 CHACKING
SUB TRAY3	1 0 0 0 0		
OFF	1 1 1 1 0	1 1 1 1	OFF

0=0V
1=5V

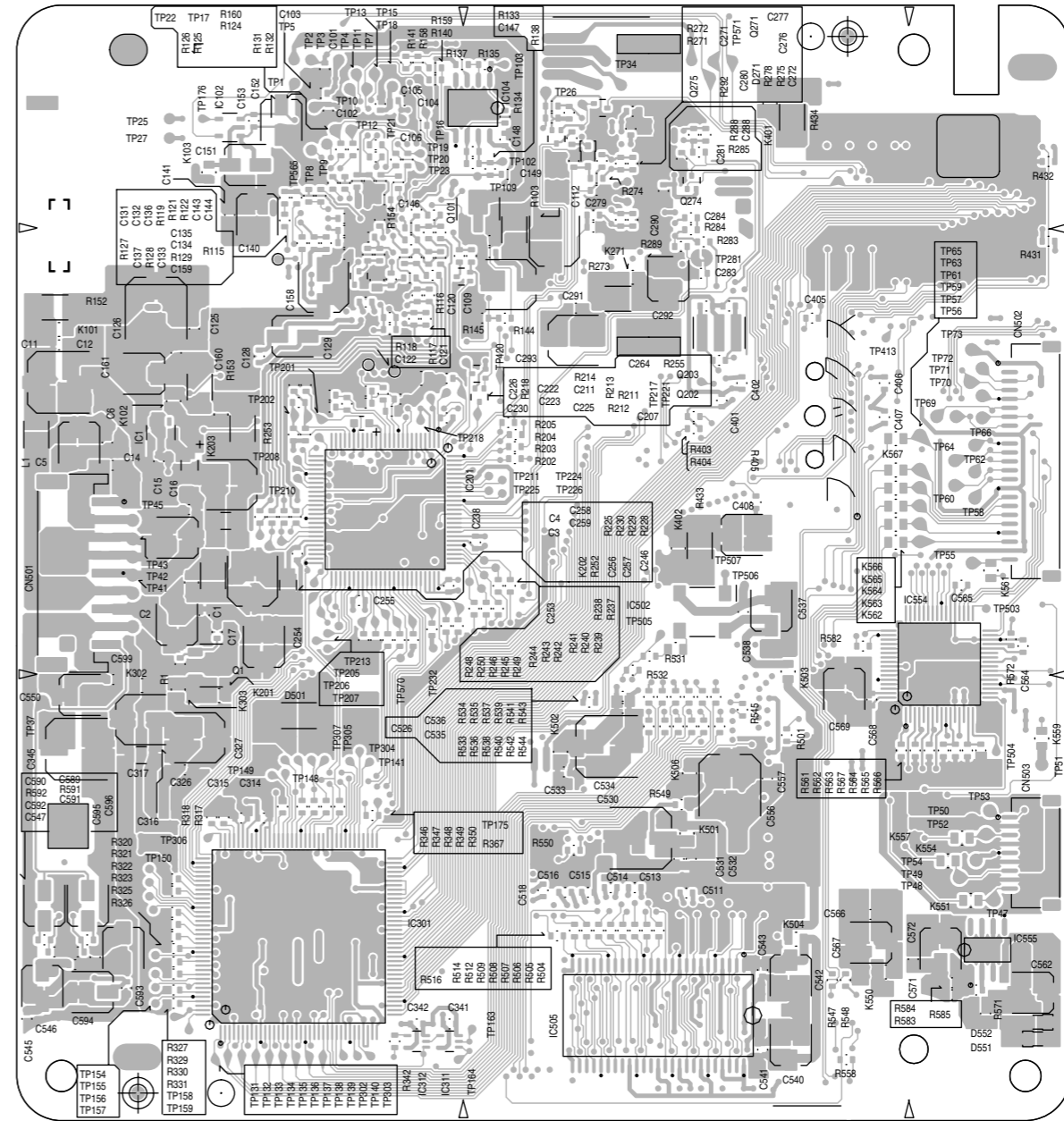
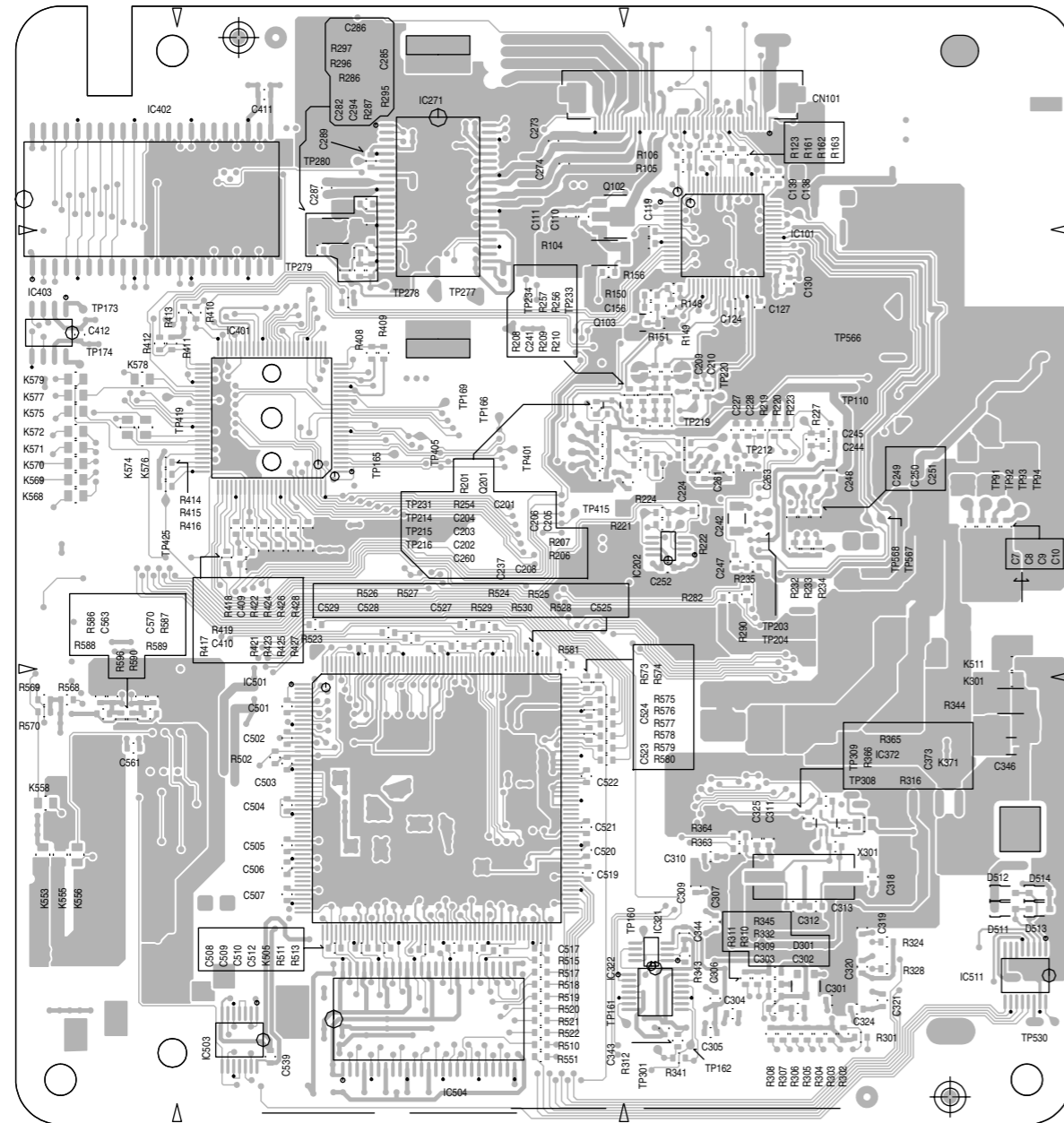
MODEL XV-M565BK/M567GD SHEET 7/8 MK2

Printed circuit board

■ Traverse mechanism control board

Reverse side

Forward side



A B C D E F G H I J